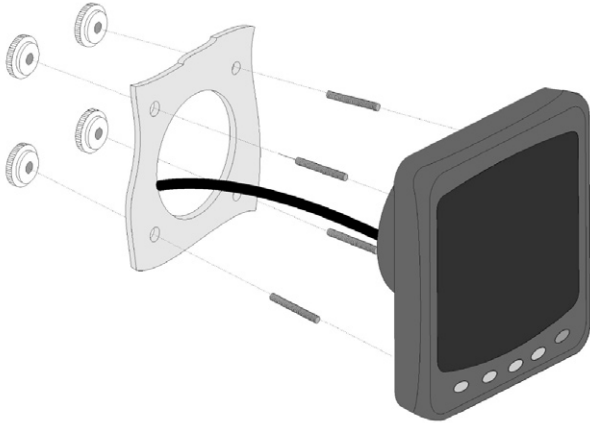


CAN-LITE

Technical Data



CANtrak Mounting Options

CANtrak 2400/2410/2600/2610 are all supplied with a front mounting kit.

For alternative mounting options see page two.

Front Mounting Instructions

Most units will be mounted in a bulkhead and that method is described here.

- Decide on the location
- Allow adequate clearance behind the unit to ensure that cable connections to ensure that the cables are not unduly stressed.
- Ensure that there is sufficient length of cable to remove the unit for servicing purposes.
- Using the supplied template as a guide, cut out the hole for the back and drill the four \varnothing 4.3mm (0.170") holes for the studs.
- Screw the four studs into the rear case, longer M4 studs can be used if required (not supplied).
- Connect the wiring harness unit.
- Place the unit into position, then secure it by screwing the thumb nuts onto the studs.

CAN-LITE

P.O. Box 481
225 Tarhe Trail, Suite B
Upper Sandusky, OH 43351
PH:419-294-4985
Fax:419-294-9380
Web:<http://www.can-lite.com>

CAN-LITE

Technical Data

Trunnion Mounting Kit



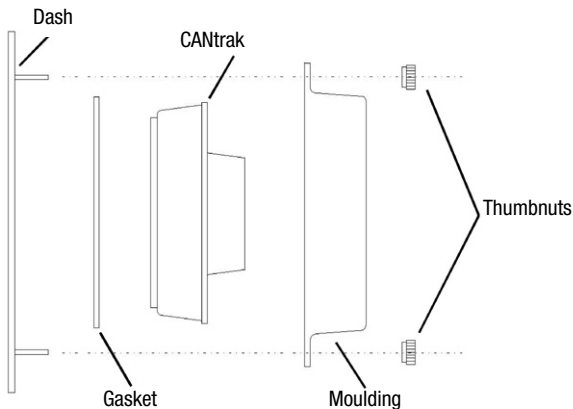
This stylish black painted and anodised Trunnion Kit was purposely designed for the CANtrak 2400/2410/2600/2610 displays

The Trunnion, which only shown here with the fixing plate to the bottom, can also be fitted at the top on either side for hanging from a roof or fixing to a vehicle surface left or right.

The two knobs allow the display to be tilted for the optimum viewing angle and then securely locked into position.

Part Number: 930393

Rear Mounting Kit



For a CANtrak 2400/2410/2600/2610 to be mounted from the rear of a panel with a suitable cutout, four studs need to be fixed to the rear of the panel. Note these studs are not supplied.

Part Number: 900061